

## AC-60 Single Point Actuator

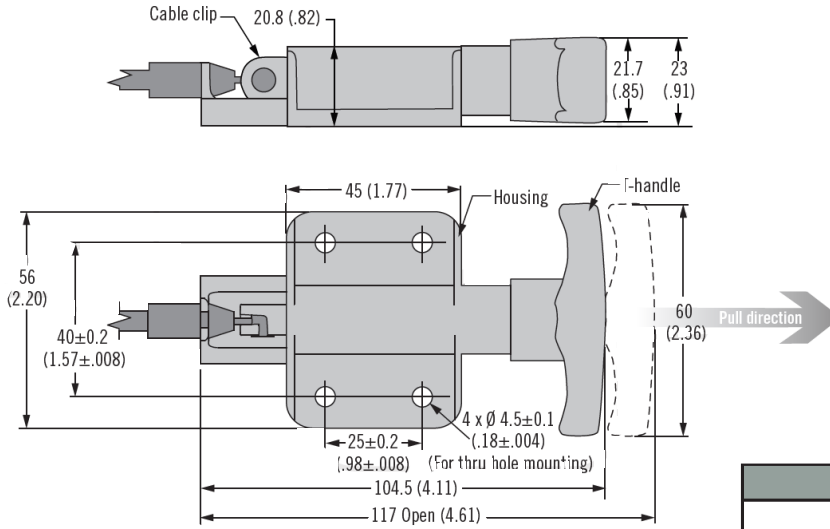
T-handle

### Features

- Surface mount installation
- Generous grip area
- Pull to activate

### Material

- Housing: PC/ABS, black
- T-handle and slide: Glass-filled nylon, black
- Clip: Acetal, black
- Spring: Stainless steel, passivated



Part Number
AC-60-101-11

## AC-70 Single Point Actuator

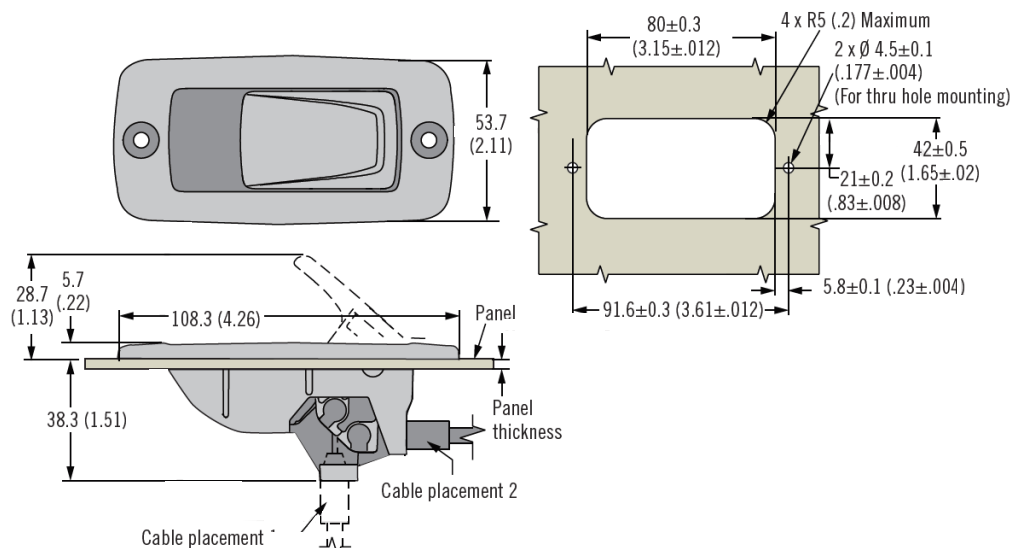
Plastic paddle and housing

### Features

- Front mount installation
- Flush
- Two cable mounting options

### Material

- Paddle and housing: Glass-filled nylon, black
- Spring: Stainless steel, passivated



Part Number
AC-70-101-11

Cable Orientation	Panel Thickness	Cable Travel
Placement 1	12.5 (.49) maximum	11.1 (.44)
Placement 2	16 (.63) maximum	13.2 (.52)